

Holder Type B (A579)

PARTS CATALOG

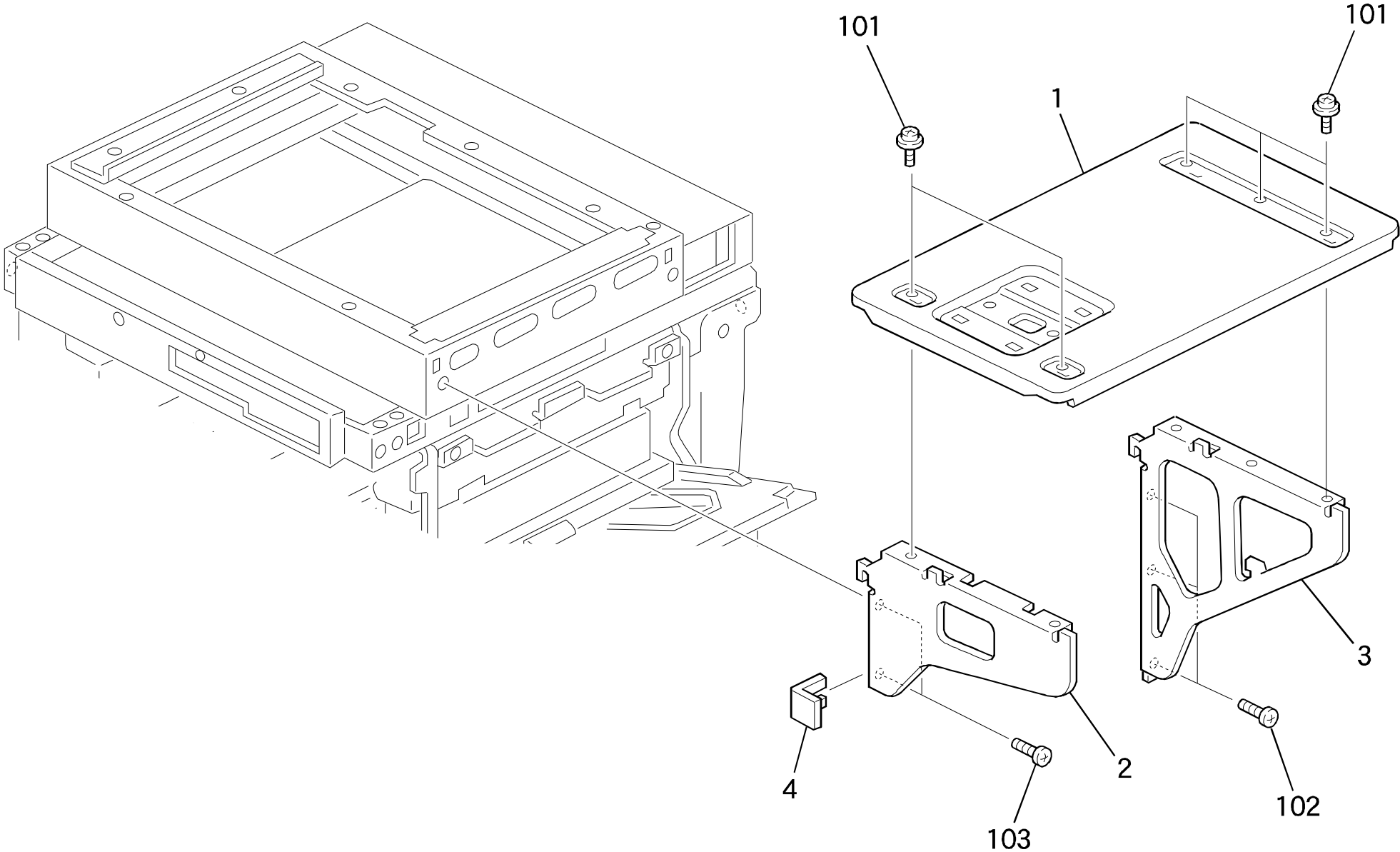
INTRODUCTION

This chapter instructs you the numbers and names of parts on this machine.

INDEX to PARTS CATALOG

1.Holder Type B (A579).....	2
Parts Index	5

1. Holder Type B (A579)



1. Holder Type B (A579)

Index No.	Part No.	Description	Qty Per Assembly
1	A579 1110	Projector Table	1
2	A579 1120	Front bracket	1
3	A579 1130	Rear Bracket	1
4	A166 1950	Spacer Bracket	1

Index No.	Part No.	Description	Qty Per Assembly
101	0951 3006B	Philips Screw With Flate Washer - M3x6	
102	0344 0140F	Screw - M4x14	
103	0415 0102B	Binding Tapping Screw - M5x10	

PARTS INDEX

Part No.	Description	Page and Index No.
A579 1110	Projector Table	3- 1
A579 1120	Front bracket	3- 2
A579 1130	Rear Bracket	3- 3

Part No.	Description	Page and Index No
A166 1950	Spacer Bracket	3- 4
0344 0140F	Screw - M4x14	3-102
0415 0102B	Binding Tapping Screw - M5x10	3-103
0951 3006B	Philips Screw With Flate Washer - M3x6	3-101